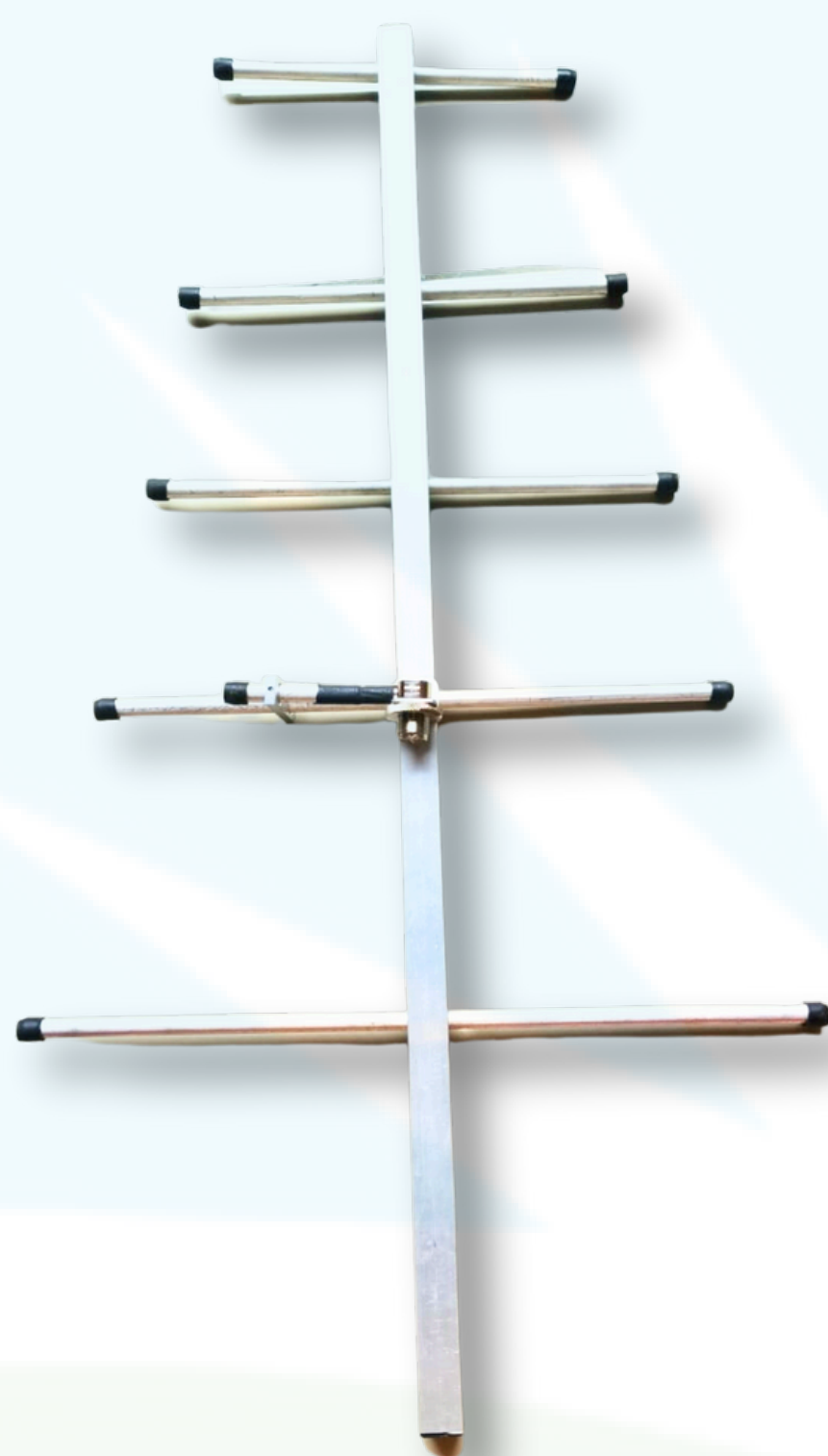




An ISO 9001: 2015 Certified Company

YAGI ANTENNA 9 DBi



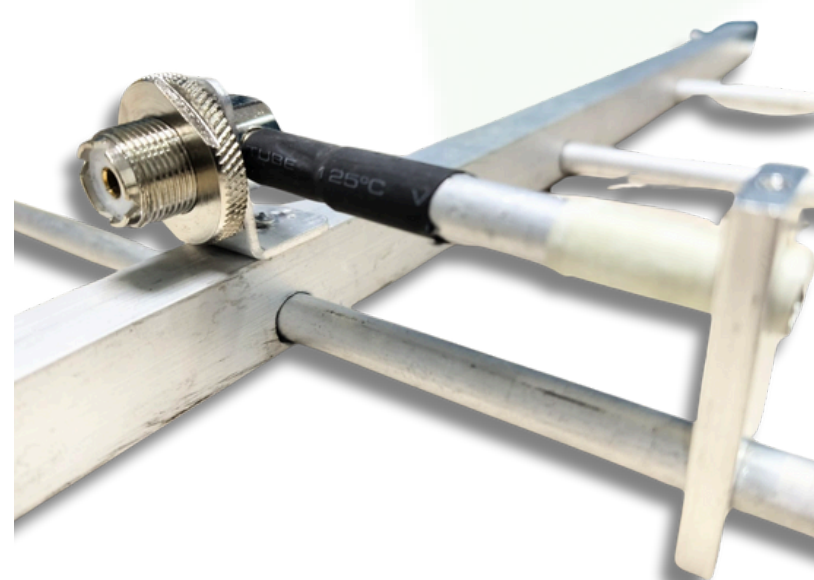
Technical Specifications

Model No.	YAGIUHF09
Frequency Range	400~470 MHz
Band Width	20 MHz
Impedance	50Ω
VSWR	<1.5
Gain	9 DBi
Polarization	Vertical
Horizontal 3dB Beam Width	58°
Vertical 3dB Beam Width	40°
Front To Back Ratio	>15 dB
Maximum Input Power	100 W
Lightning Protection	Direct Ground
Rated Wind Velocity	60 m/s
Connector Type	UHF Female
Length	850x380x48mm
Weight	0.4Kg
Mounting Hardware	Ø30~ Ø40 mm
Compliances	CE compliant
ROHS	ROHS Compliant

FEATURES

- Wide Frequency Range
- Light Weight
- High gain
- Easy to Install
- Vertical Polarization
- All-Weather Operation
- Best for Outdoor applications.

UHF Connector



CALL OR  **+91-8800386366**

Follow Us For More Updates **GLEAMLIGHTINDIA** /     

Info@gleamlightindia.com www.gleamlightindia.in/www.gleamlightindia.com/www.gleamindia.com

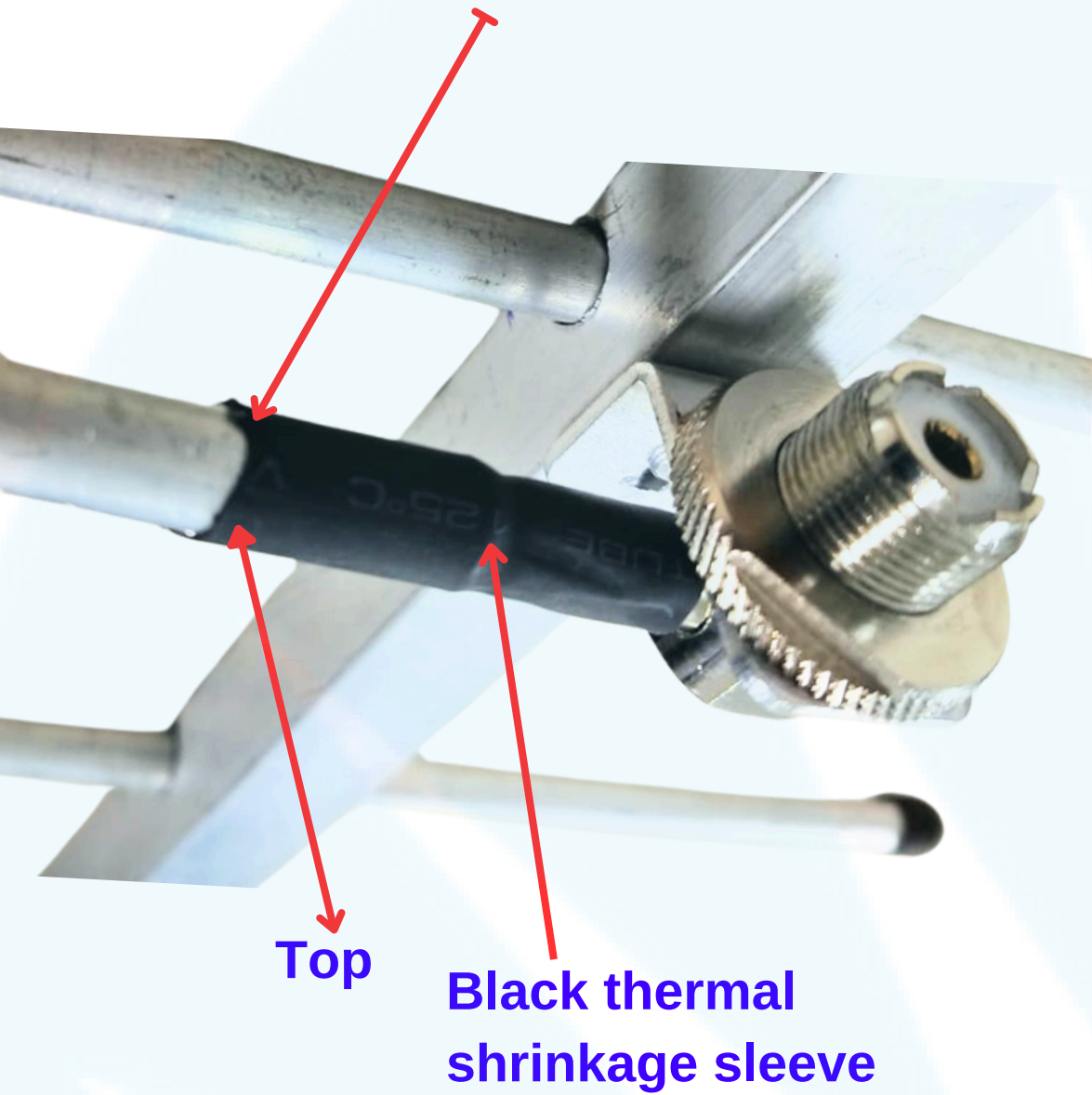
12B Block -A, Behind Kanishka Garden, Amar Colony Main Rohtak Road Nangloi, New Delhi, Delhi 110041



An ISO 9001: 2015 Certified Company

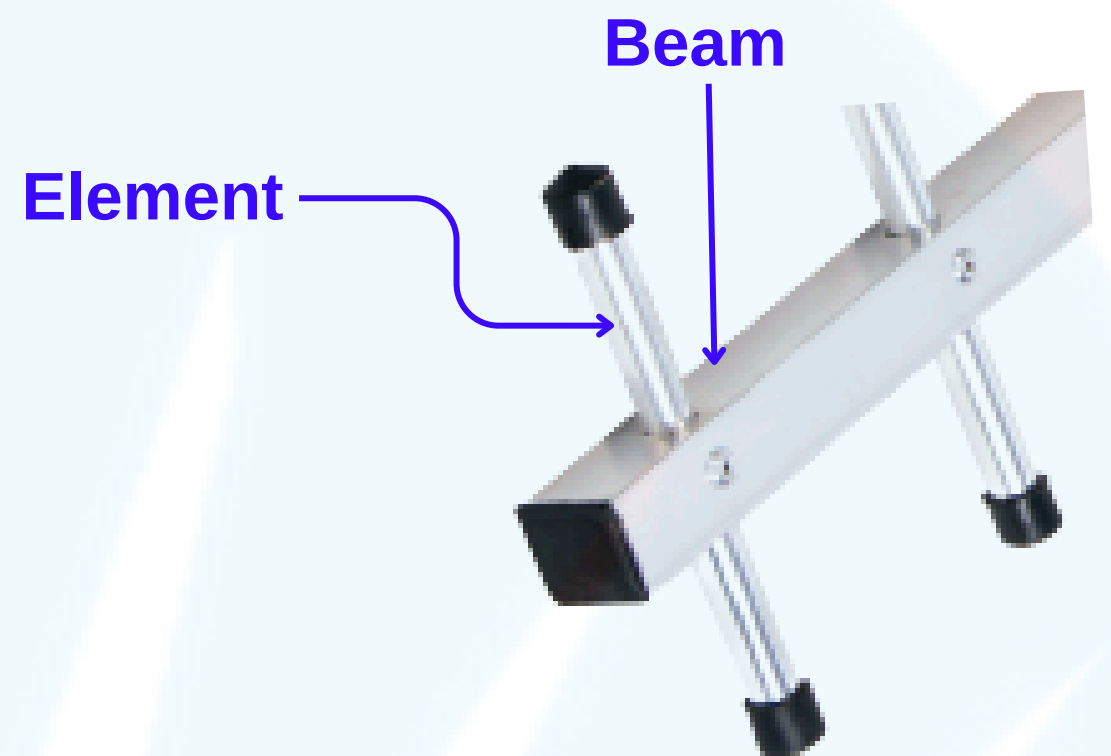
YAGI ANTENNA 9 Dbi

Position the Antenna
for the best S.W.R



Top

Black thermal
shrinkage sleeve



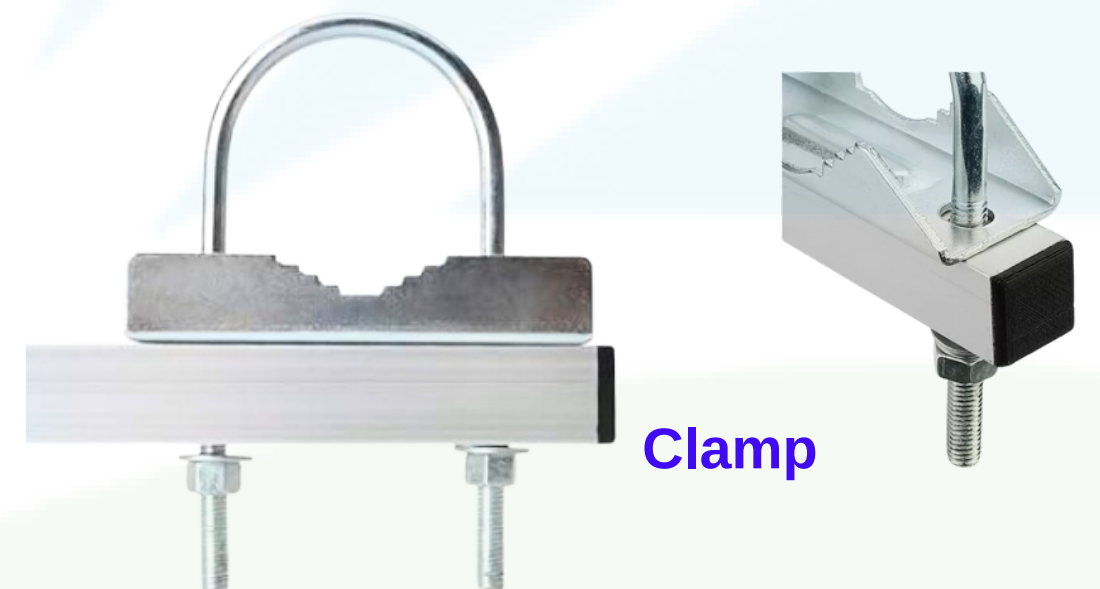
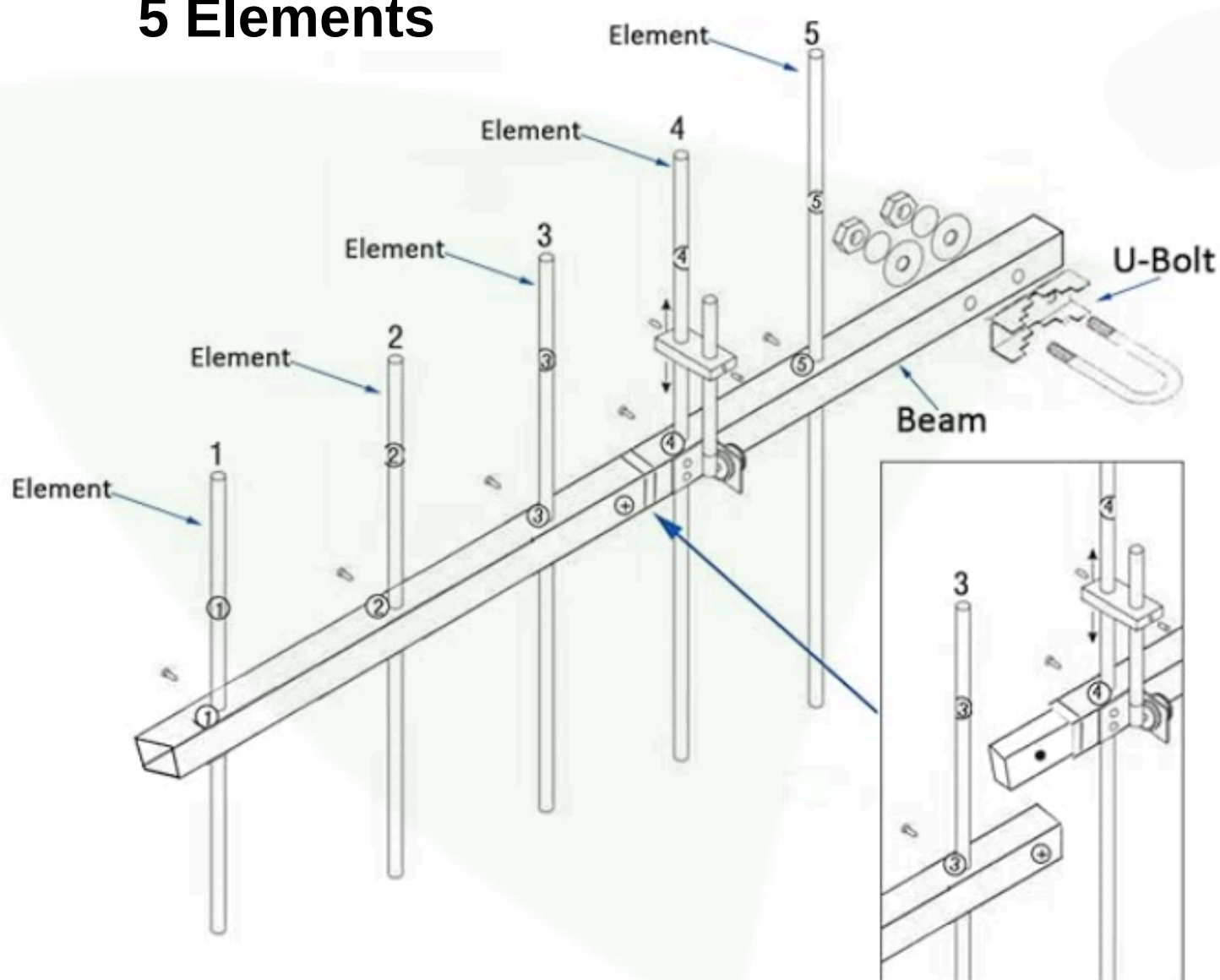
Element

Beam

Instruction for installation

- Please put the yagi antenna element No.1 into the yagi antenna Beam No.1's hole and lock with screw, same operations install the element No.2, No.3, No.4, No.5.
- Please put the S.W.R slide block into the element No.4 and connector element, and then stop on the top of the connector element's black thermal shrinkage sleeve and locking with the slide block right and left screws.
- Combine the two beams and screw them together. The complete yagi antenna is installed successfully.

5 Elements



Clamp



Note:

- Do not cote it any paint to prevent interference with transmission and reception.
- TC-YG05 is a horizontal directional transmission. It can be used at an elevation Angle for environmental needs.
- Do not frequently disassemble the elements and screws, it will cause the antenna elements loosen and affect the S.W.R. and frequency.



CALL OR  **+91-8800386366**

Follow Us For More Updates **GLEAMLIGHTINDIA** /     

Info@gleamlightindia.com www.gleamlightindia.in www.gleamlightindia.com www.gleamindia.com

12B Block -A, Behind Kanishka Garden, Amar Colony Main Rohtak Road Nangloi, New Delhi, Delhi 110041